



Aiden

Mining & Engineering Distributors

Liner Bolts

Distributors of all Liner bolts and specialized bolts to customer specifications for the mining and engineering sector

Size Range: Liner bolts

Metrics: M2 to M120

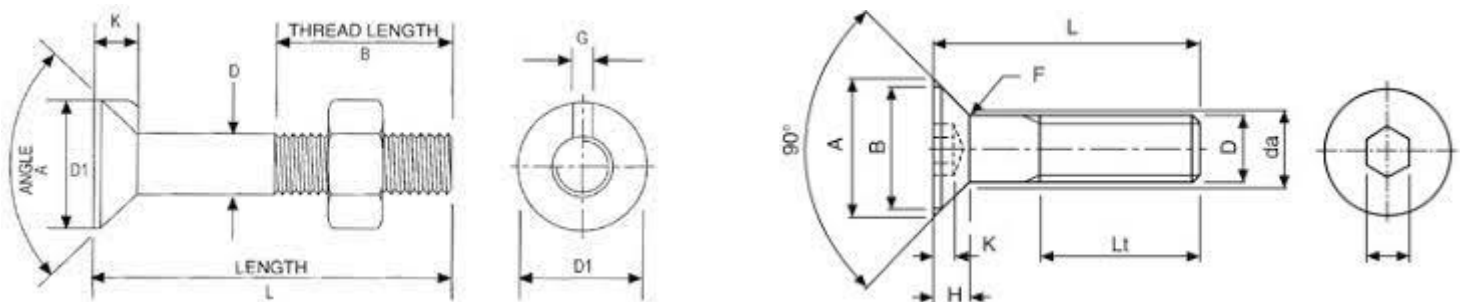
Inches: 1/4" to 4.5"

Finishes:

Plain, Zinc, Hot Dip Gal,

Grades & materials:

MS, 4, 6, 8.8, 10.9, 12.9, Stainless Steel, Brass, Copper



Contact us for pricing and lead time